

## 604 Differential Pressure Switch

### Features

- Low cost, high quality.
- Visual switching point setup.
- With repeat accuracy of 2%.
- With housing fitted by a single screw.
- Easy to install, supplied with standard mounting accessories.



### Specifications

**Range:** 20~1000Pa

**Max. Static Pressure:** 1000Pa

**Protection Standard:** IP54

**Output contact Load:** 2A at 250V, contact switch

**Weight:** 100g

**Dimensions:**  $\Phi 81 \times 53$

**Testing Standards:** EN61058, DIN3398

**Temperature Limit:** -15°C to 60°C.

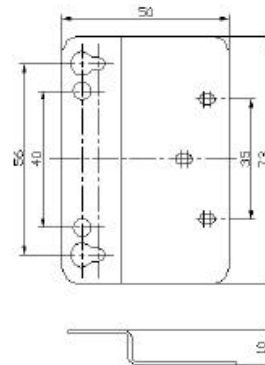
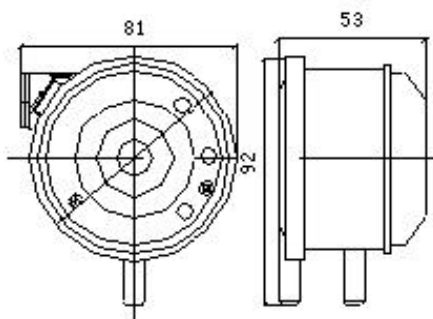
**Accessories:** plastic tubing  $\Phi 6.2\text{mm}$ , 1.8m

Bracket type Z 1 pc

Screws 3 pcs

Pressure connection tubing 2 pcs

### Dimensions (mm)



### Models & Ranges

Model No.	DP Range (Pa)	Model No.	DP Range	Model No.	DP Range
604-0	20~300				
604-1	30~300				
604-2	50~500				
604-3	100~1000				