

positive displacement flow meters

M7 – 1" Pulse and LC display meters

The M7 is a specialised meter for aggressive chemicals and water based products. It has the ability to handle a wide range of fluid viscosities with exceptional levels of repeatability and durability.

Features

- Compact size.
- Two independent pulse units.
- Flexibility of installation options (e.g. can be mounted horizontally or vertically; no flow conditioning required).
- Low pressure drop allows for economical pump selection or gravity flow applications.
- Meter construction enables fast and easy on-site servicing without removal from application.
- Meter design minimises the number of wearable and replaceable parts and extends product life.
- Meter accuracy is verified by factory calibration check after which an individual metrology report is issued.
- LCD & Pulse Version have IP65/NEMA9 protection.

Specification:

Model	M7
Meter Type	Pulse / Standard LC Display / Deluxe LC Display / MR100 LC Display
Meter Body Material	PPS
Wetted Components:	
Rotor Material	PPS / St St
Shafts	316 St St Or Hastalloy C (Optional Meter Model Designation - C)
O'ring	NBR (Nitrile)
Flow Rate Ranges (Litres Per Minute/US Gallons Per Minute)	
Above 5 cPs	3 To 80 / 0.8 To 21
Below 5 cPs	8 To 70 / 2 To 18.5
Accuracy- Within (Of Reading)	+/- 0.5%
Repeatability	0.03%
Maximum Viscosity (Of Standard Model)	1000 Centipoise (Optional High Viscosity Rotors)
Maximum Operating Pressure	1000kpa / 150psi / 10bar
Pulsar Type	Hall Effect or Reed Switch or Combination HE / RS
Pulses Per Litre/Us Gallon	52/196.8
Max. Operating Temperature	80°C / 176°F (120°C / 248°F S/S Rotors)
Recommended Mesh Strainer Size	60 Mesh



M7RRP-X



Standard LC Display



Deluxe LC Display



MR100

Port Size

To order flowmeter you must replace 'X' with the relevant number. This number will determine the following specifications:

Port Size:	Calibrated In:	Electrical Conduit Connection:
1 = 1" BSP (F) ports	Litres	20mm (F)
2 = 1" NPT (F) ports	US Gallons	1/2" NPT (F)

PPS = Polyphenylene Sulfide Resins

Special Models

M7ARPH-XR	High Pressure Version (Aluminium)
Threaded Versions Only	250 Bar / 3625 PSI Maximum Working Pressure

Available Options: Pulse LC Displays, ST ST Rotors, Hi Viscosity Rotors



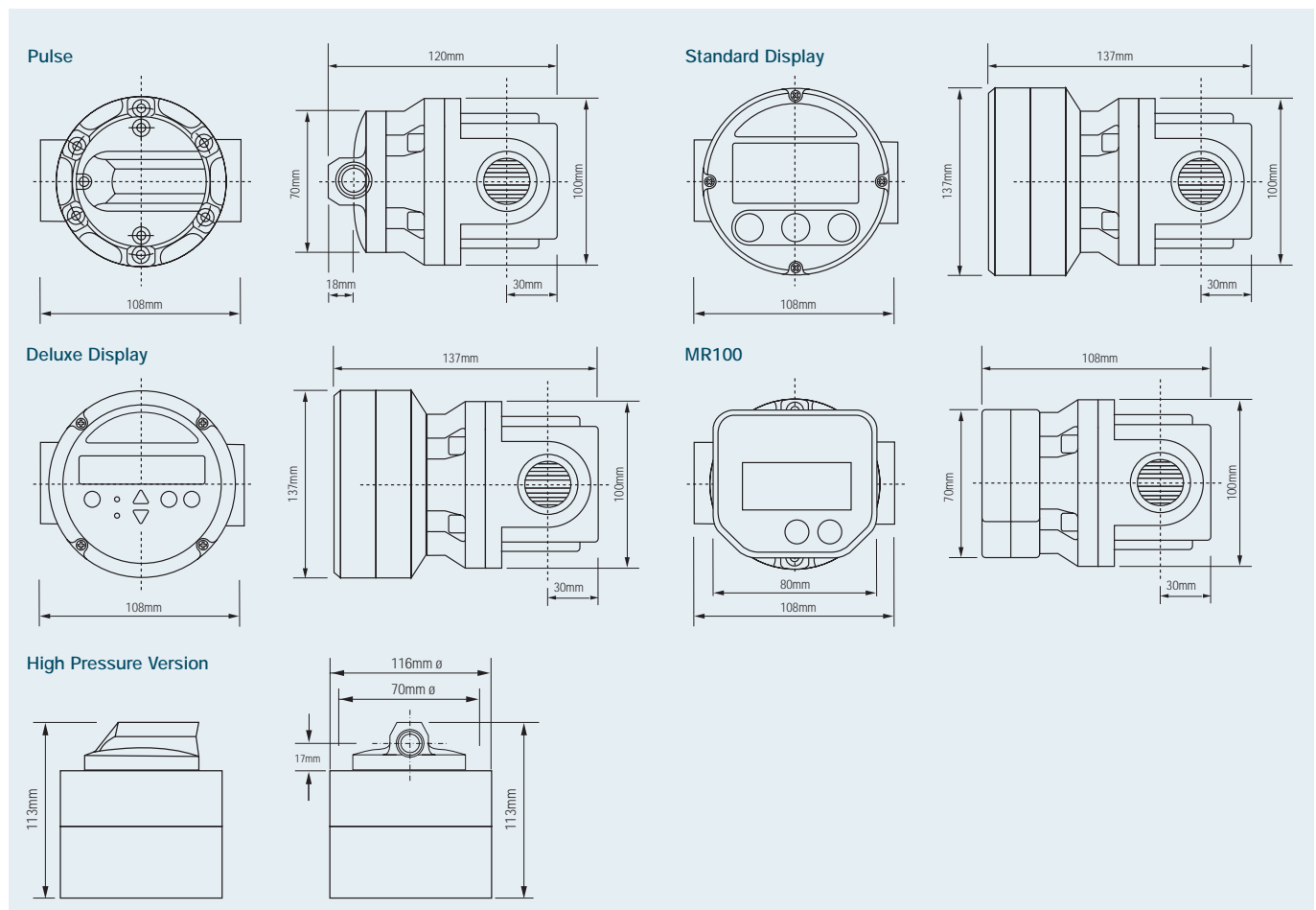
M7 – 1" Pulse and LC display meters

Options and accessories

M7 - 1" PULSE AND LC DISPLAY METERS	M7RRP-X	M7RRG-X	M7RRE-X	M7RRD-X
FKM O-Ring	○	○	○	○
FEP O-Ring	○	○	○	○
EPDM O-Ring	○	○	○	○
High Temp Rotors	-	-	-	-
High Viscosity Rotors	-	-	-	-
Hall Effect Sensor	○	○	○	○
Reed Switch	●	●	●	●
Solvent Kit	-	-	-	-
Hastalloy C Shafts	○	○	○	○
Protective Boot Deluxe LCD	-	+	+	-
Protective Boot Standard Display	-	○	-	-
Remote Mounted LC Display	+	+	+	+
Heating Jacket	-	-	-	-
Stainless Steel Rotors (Hi Temp 120°C/248°F)	○	○	○	○
4-20mA Module Meter or Remote Mount	+	+	+	+

● Standard ○ Optional - Not Available + Accessory

Dimensions



Macnaught Pty Ltd reserves the right to modify or alter product materials, dimensions, design and construction, when necessary, to improve the performance of our products. Please check with your local distributor or Macnaught to confirm current specifications of our products.