

GENERAL

FA-6000 is the new addition to FA series FLOW MONITOR, which have been welcomed by customers.

FA-6000 indicates flow rate of liquids and outputs an alarm contact at freely adjustable setting point.

Newly designed metal supported body construction offers best durability against piping stress.

FEATURES

- ❑ COMPACT AND LIGHT DESIGN
FA-6000 is very much suitable for assembling onto equipments and devices due to its compact and light design.
- ❑ DURABLE CONSTRUCTION
Process connection is done through stainless steel fittings which support FA-6000 against piping stress.
- ❑ WATER PROOF CONSTRUCTION
FA-6000 can also be used under splashes of water.
- ❑ QUICK DELIVERY AND COMPETITIVE PRICE
The standardized specification allows reasonable quick delivery time.



RECOMMENDED APPLICATION

- Cooling water line
- Monitoring of leakage of sealing liquids
- Cooling fluids lines in Injection Moulding machines
- Liquid cultivating medium supply
- Others

STANDARD APPLICATION

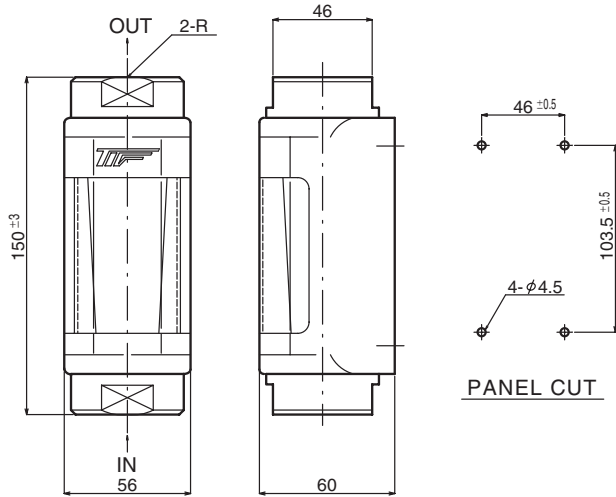
- Application fluid : Water or low viscosity liquids
- Available size : 3~30L/mim
5~50L/mim
8~80L/mim
10~100L/mim
- Process connection Rc1(Std.),3/4,1/2
- Flow direction Bottom to Top, Left to Right,
Right to Left, Top to Bottom
- Max.OP.Temp. 60°C
- Max.OP.Press. 0.8MPa
- Indication accuracy ±5% of full scale
- Alarm setting accuracy ±5% of full scale
- Alarm setting range 20%~90% of full scale
- Alarm reset span Max. 15% of full scale
- Alarm contact SPST Reed switch (Self holding type)
Compatible with UL standards
- Alarm action High alarm(OPEN,CLOSE)
Low alarm(OPEN,CLOSE)
- Electric connection Reed wire connection

MODEL CODE

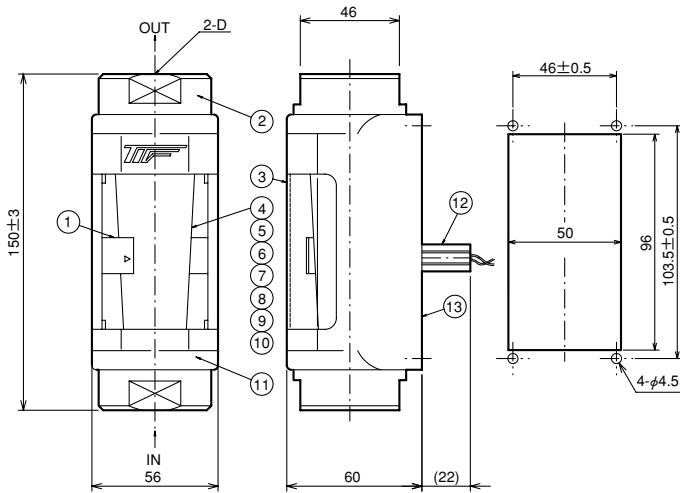
MODEL CODE		DESCRIPTION
FA - 6 □ □ □ □ - □ - □ □ □ □ - □		
Flow range	1	3 ~ 30 L/min
	2	5 ~ 50 L/min
	3	8 ~ 80 L/min
	4	10 ~ 100 L/min
	5	Other special flow range
Process connection	1	Rc1/2
	2	Rc3/4
	3	Rc1
	9	Other special connection
Alarm function	1	High — ON
	2	High — OFF
	3	Low — ON
	4	Low — OFF
	0	No alarm provided
Flow direction	- 1	Bottom to Top
	- 6	Left to Right
	- 7	Right to Left
	- 8	Top to Bottom
Wetted material	- 4	SUS304
Packing material	1	FPM
Reed switch	1	Corresponding to "CE" or "UL" standard
Alarm setting point	- 0	Free
	- *	Alarm Setting Value

* Alarm setting in made at specified flow rate value.

DIMENSION AND MATERIAL



No.	DESCRIPTION	MATERIAL
1	Fixing	ABS
2	Fittings	SUS 304
3	Scale plate	Acryl
4	Float	PPS magnet
5	Float stopper	SUS 304
6	Float rod	SUS 316
7	Stopper	Fluorine rubber
8	Spring	SUS 316WP
9	Tapered tube	Acryl
10	O ring	Fluorine rubber
11	Body	SCS 14
12	Reed switch	—
13	Rear cover	ABS



CAUTION FOR USE

- Magnet Straightener
 A magnet is moulded in the float and in case ferrous powders are involved in the fluid, smooth movement of float will not be obtained.
 It is recommended to install a Magnet Straightener in upstream of the line to eliminate the ferrous contents.

* Specification is subject to change without notice.

TOKYO KEISO CO., LTD.

Head Office : Shiba Toho Building, 1-7-24 Shibakoen, Minato-ku, Tokyo 105-8558
 Tel : +81-3-3431-1625 (KEY) ; Fax : +81-3-3433-4922
 e-mail : overseas.sales@tokyokeiso.co.jp ; URL : <http://www.tokyokeiso.co.jp>

