

# P-010 Series

## Purgemeter (Suitable for lot production)

### GENERAL

**P-010** series Purgemeter is the upgraded version of P-100 series which has been gaining popular favor, and the fluids to be used are limited to water, air and nitrogen, and this purgemeter is suitable for the lot production. It is recommended to take this P-010 series into consideration when more than 10 units in the same specifications are required. Further, since the convex lens form by laser is adopted, it becomes easier to read a graduation. Alarm and analog output are also available.

### MAJOR APPLICATIONS

General purpose (for small flow rate, Water lines and Air / Nitrogen lines)

### STANDARD SPECIFICATION

Measuring object		Liquid (Water <Density 1.0g/cm <sup>3</sup> and Viscosity 1.0mPas>) Gas (Air / Nitrogen : 0°C, 0MPa)	
Scale range	Water	Min. range: 5~50mL/min Max. range: 0.4~2L/min	· Gas at 0°C, 0MPa · When selecting flow rate, refer to model code.
	Gas (Air/Nitrogen)	Min. range: 0.1~1L/min (nor) Max. range: 5~50L/min (nor)	
Range ability		10:1	10:2 occasionally
Accuracy		±5%	
Max. Op. Press.		0.8MPa	
Max. Op. Temp.		120°C	
Material		Standard	
		Body	SCS13
		Tapered tube	Pyrex glass
		Packing	NBR (max. 80°C) Viton (max. 120°C)
		Support	A6063-T5
Connection		Rc1/4	
Mounting		Lock-nut mount onto panel front	
Weight (Std. type)		0.5kg	



### BASIC MODEL CODE

SERIES NAME	VALVE	FLOW DIRECTION	ALARM ANALOG OUTPUT	WETTED PARTS MATERIAL	PACKING MATERIAL	CONNECTION TYPE	CONNECTION SIZE	EXAMPLE
								DESCRIPTION
P-01	0	T	0	T	N	R	Z	
								1/4 (Standard)
								Z Special
								R Rc thread (Standard) Lock-nut mounting onto panel front
								Z Special
					N			NBR (Standard)
					F			Viton
					Z			Special
				4				SCS13 (Standard)
				Z				Special
			0					Not provided
			A					Reed switch alarm (LO)
			B					Reed switch alarm (LC)
			C					Reed switch alarm (HO)
			D					Reed switch alarm (HC)
			E					PAU alarm output
			F					E3C Separate Type Optical alarm unit provided
			G					PAS/IAU analog output
			Z					Special
			0					Not provided
			L					Bottom(gas for atmospheric pressure scale)
			U					Top(gas for press. scale or for negative press. on secondary side)
			Z					Special
	0							Bottom rear → Top rear (Standard)
	9							Special

### ALARM AND ANALOG OUTPUT

Type	Availability
Reed switch type alarm unit	General ○ CE, UL Version ○
PAU Optical alarm unit	○
Optical alarm unit	○
Analog output unit	○

Refer to our P series catalog (CF030F111) about the details of alarm and analog output.

### STANDARD FLOW RATE TABLE

(In case Op. Press. at gas is not 0MPa, consult factory for details)

In case alarm analog output code is 0 and E		In case alarm analog output code is A to D			
AIR(0MPa,0°C)	Water	AIR(0MPa,0°C)	Alarm setting range	Water	Alarm setting range
0.1-1 L/min (nor)	5-50 mL/min 10-100 mL/min	0.1-1 L/min (nor)	0.2-0.8 L/min (nor)	5-50 mL/min 10-100 L/min	10-40 mL/min 20-80 L/min
0.3-3 L/min (nor)	20-200 mL/min 30-300 mL/min	0.2-2 L/min (nor)	0.2-2 L/min (nor)	20-200 mL/min 30-300 mL/min	40-160 mL/min 60-240 mL/min
0.5-5 L/min (nor)	50-500 mL/min	0.5-5 L/min (nor)	0.5-5 L/min (nor)	50-500 mL/min	100-400 L/min
1-10 L/min (nor)		1-10 L/min (nor)	1-10 L/min (nor)		
2-20 L/min (nor)	0.1-1 L/min	3-15 L/min (nor)	3-15 L/min (nor)		
3-30 L/min (nor)		4-20 L/min (nor)	4-20 L/min (nor)	0.1-1 L/min	0.2-0.8 L/min
4-40 L/min (nor)	0.3-1.5 L/min	6-30 L/min (nor)	6-30 L/min (nor)		
5-50 L/min (nor)	0.4-2 L/min	10-50 L/min (nor)	10-50 L/min (nor)		

\* In case alarm output code is G, flow range differs. Consult factory for details.

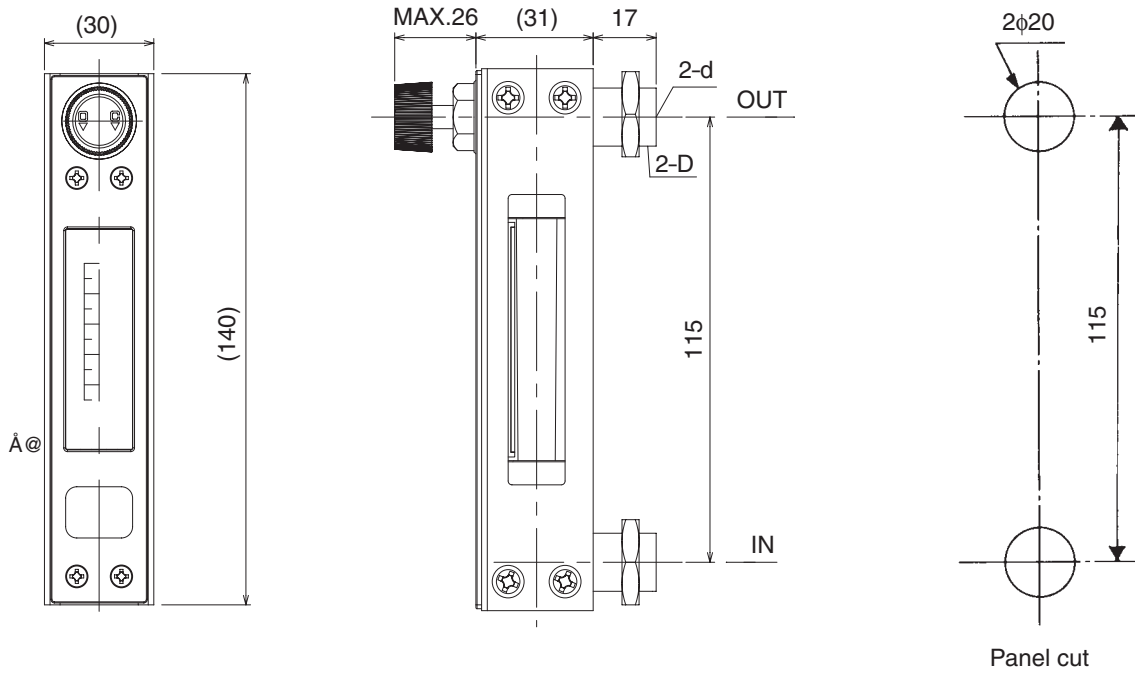
### ORDERING INFORMATION

Basic model code	Designation items for detailed specifications					
P-01□-□□-□□-□□	①	②	③	④	⑤	⑥
	Fluid name	Measuring range	Press.	Temp.	Mounting option	Other option

**DIMENSIONS**

**Standard type**

- P-010-U0-4N-R□ (Valve provided at Outlet)



**Panel cut size**

Connection size	Hole dia. (mm)
Rc1/4	φ20

Caution)  
Use non-magnetize material for panel when ALARM ANALOG  
OUTPUT code is A-D.

**Standard material**

Parts name	Standard material	Available material
Body *	SCS13	
Tapered tube *	Pyrex glass	
Float *	SUS316 / Glass	PTFE / Ruby
Packing *	NBR	Viton
Support	A6063-T5	
Front panel	ABS	
Scale plate	ABS	

Parts with \* contact the measuring fluid.

\* Specification subject to change without notice

**TIV TOKYO KEISO CO., LTD.**

