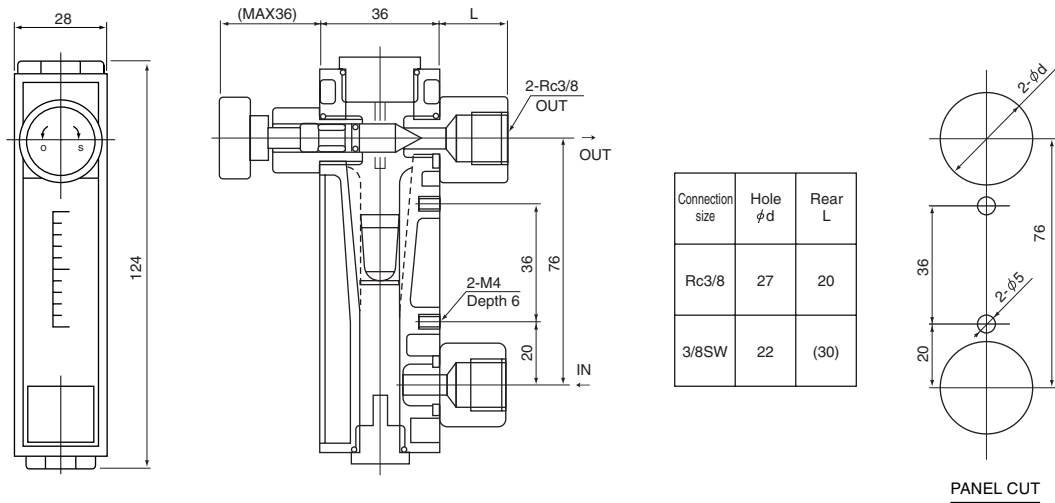


DIMENSIONS

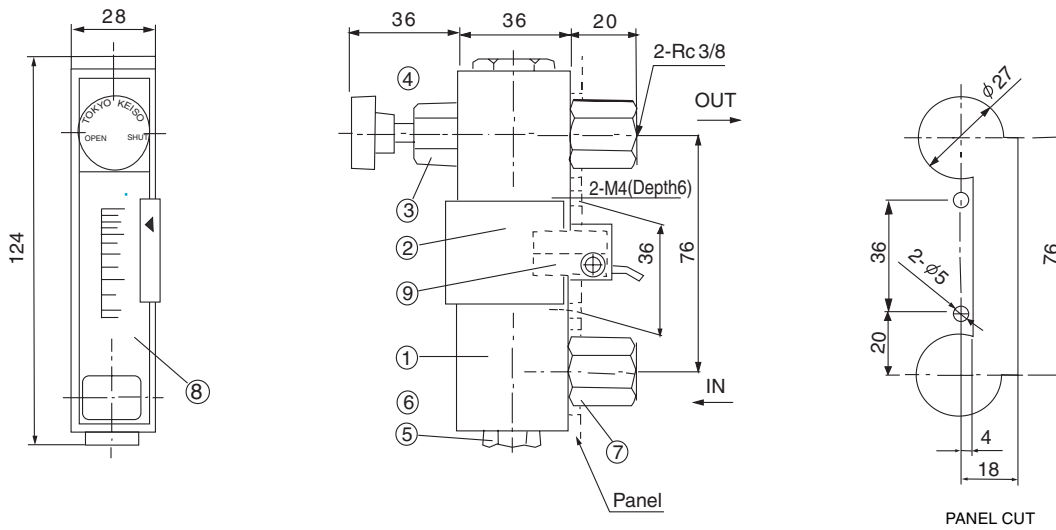
STANDARD TYPE

(P-620-U0-BN-R3 Valve provided at Outlet, Panel front screw fixing)



P-620-U□-□□-R3

Dimensions are different in case of the flow range of 0.1~1L/min.
Consult factory for details.



Caution) Use non-magnetize material for mounting panel.

Standard Material

Parts name	Standard material	Available material
Body, tapered tube	Acryl	—
Packing	NBR	FPM, CR
Float	SUS304	SUS316
Cap	C3604	SUS304, SUS316
Valve body	C3604	SUS304, SUS316
Valve needle	SUS304	SUS316
Fitting	C3604	SUS304, SUS316
Graduation board	Acryl	—

Parts whose names are described in **bold letters** are in contact with fluids to be measured.

In case alarm output code is A to D

A	Reed switch alarm (LO)	Refer to page 46, 47
B	Reed switch alarm (LC)	
C	Reed switch alarm (HO)	
D	Reed switch alarm (HC)	